



TOP TECH  
With Excellent Surface

L/L-E3

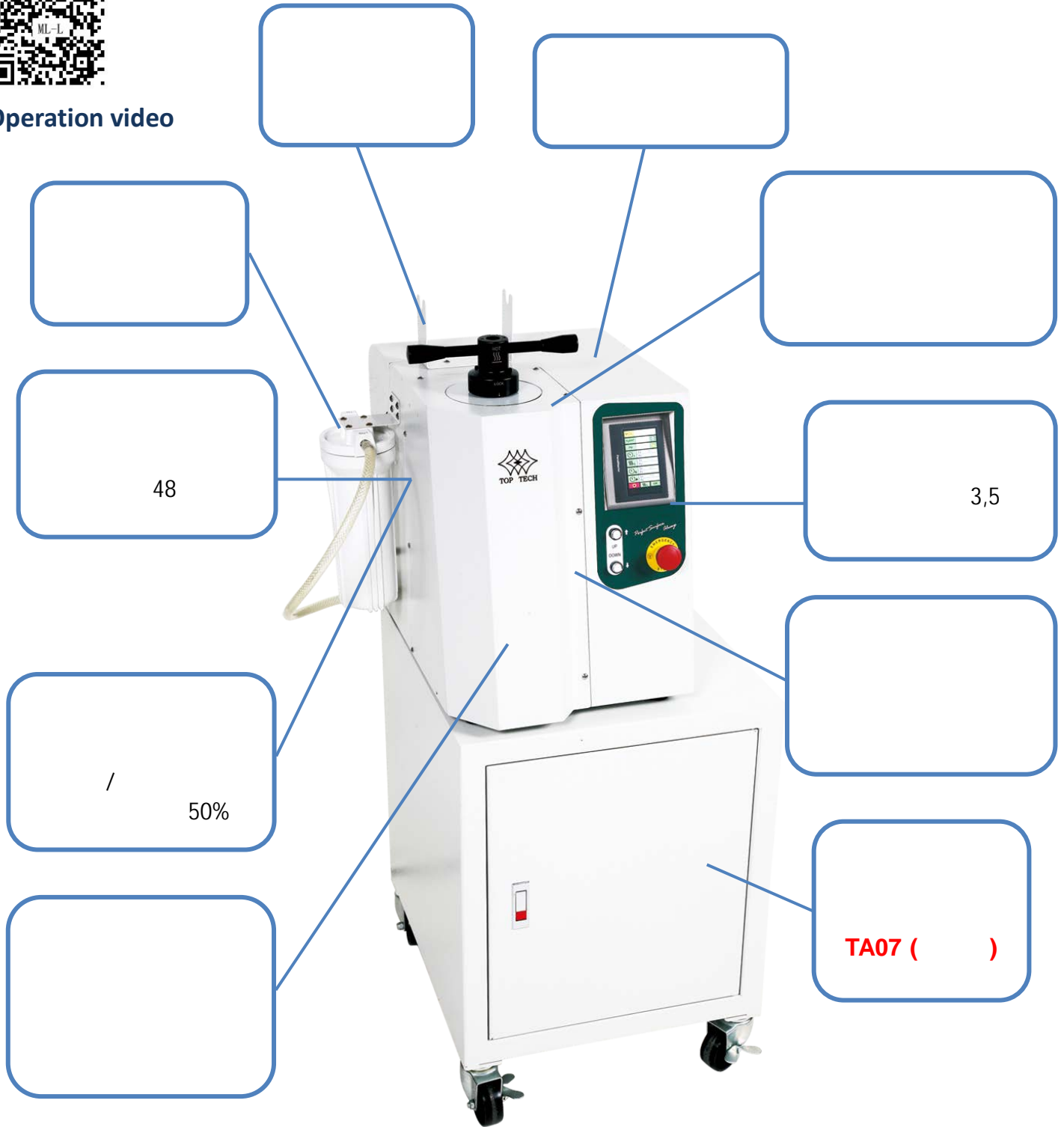




# Instruction



Operation video





TOP TECH  
With Excellent Surface



Ø25

Ø32

Ø40

Ø50

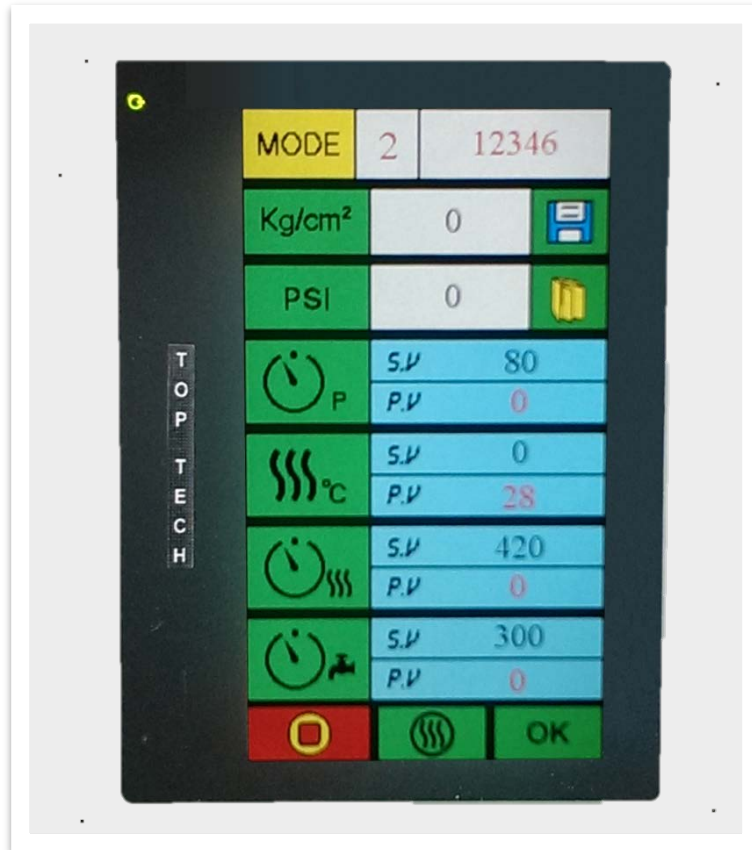
**option**

( -2)



**option**





1.

2.

10

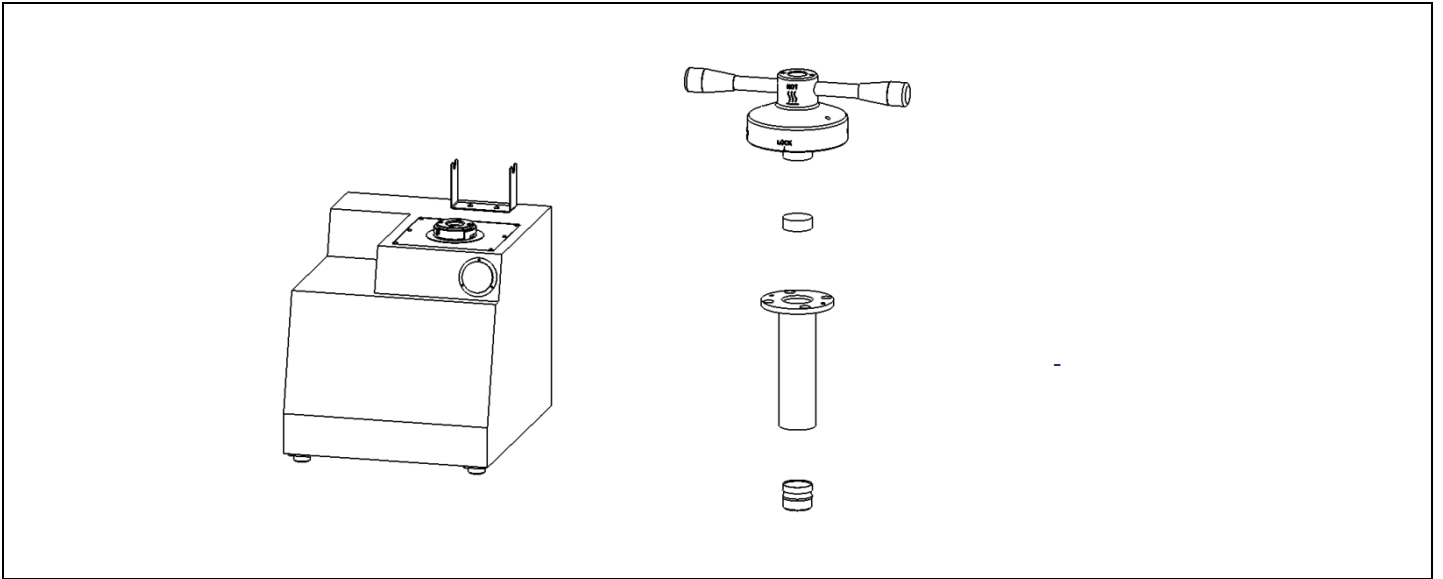
3.

4.



TOP TECH  
With Excellent Surface

1、 -





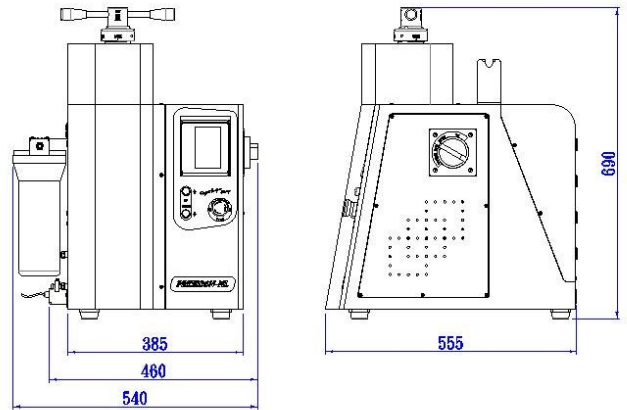
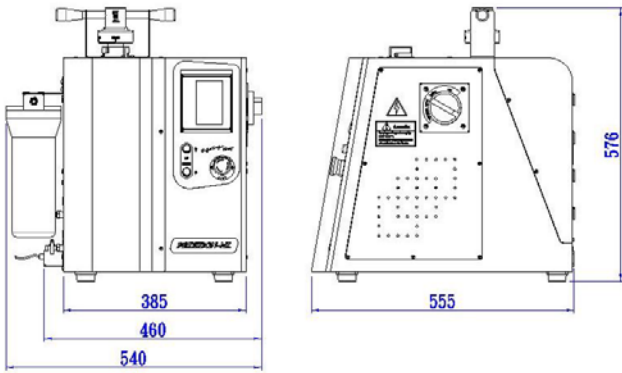
No.	L				L-E3			
	Ø25mm	Ø32mm	Ø40mm	Ø50mm	Ø25mm	Ø32mm	Ø40mm	Ø50mm
	1				1-3			
	0~250°C							
	59~63		59~66		61~64		62~68	
	1200		1600		2400		3200	
	1600		2000		2800		3600	
5	Ø50x140mm				Ø50x210mm			
	0~200 / °							
	Max.60							
	Max.30							
	10							
( x x )	39x55x55 .				39x55x69 .			
	64 .		65 .		67 .		70 .	
	10 .				- 15 .			
	220 /50							
	- 1 .		- 1 .		- 1 .		- 1 .	
	- 1 .		- 1 .		- 1 .		- 1 .	
	- 1		- 1 .		- 1 .		- 1 .	



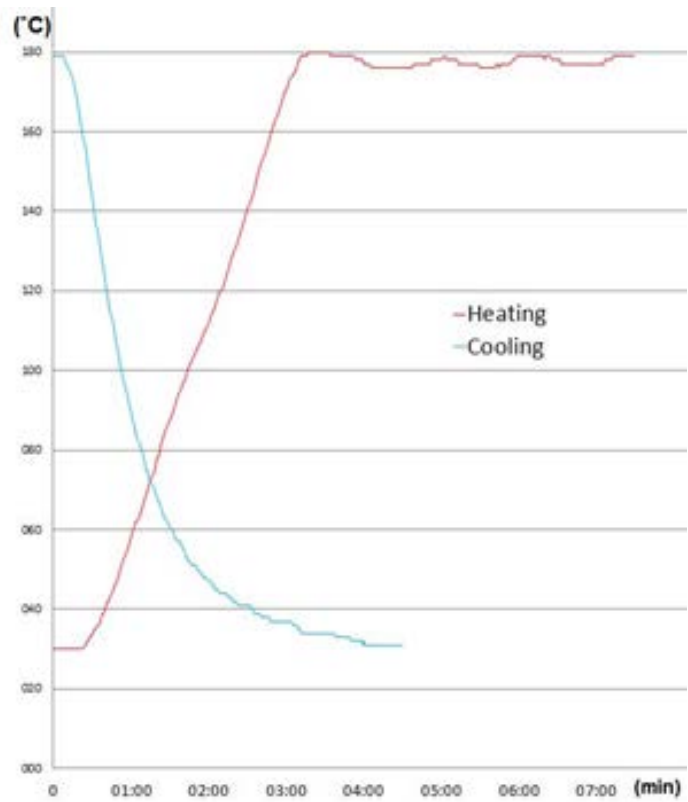
( )

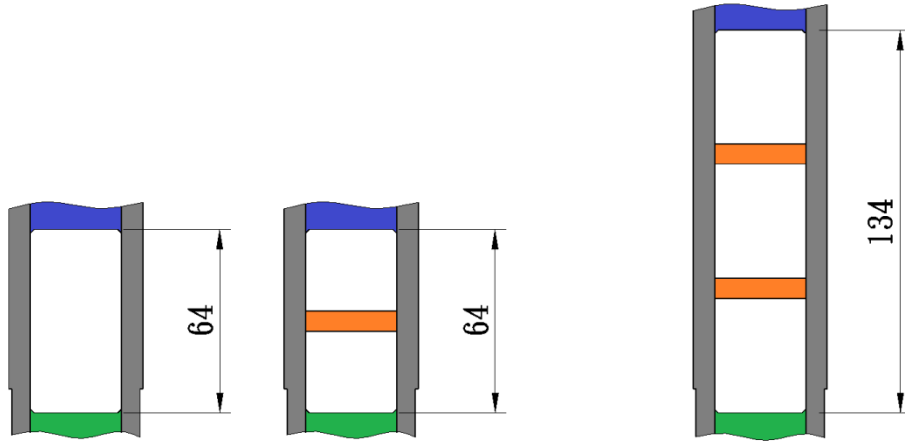
L

L-ES



1. :  
-Ø32 .x20 .





	( )	( )	( )		( <sup>3</sup> )
	Ø25	21	18	1	10303
	Ø32	21	30	1	16880
	Ø40	21	47	1	26376
	Ø50	21	75	1	41213
	Ø25	14	12x2	2	6869
	Ø32	14	22x2	2	11253
	Ø40	14	31x2	2	17584
	Ø50	14	49x2	2	27427
(E3)	Ø25	18	16x3	3	8831
	Ø32	18	25x3	3	14469
	Ø40	18	40x3	3	22608
	Ø50	18	63x3	3	35325





TOP TECH  
With Excellent Surface

*Perfect Surface.  
Always*

**Cutting / Mounting / Grinding & Polishing / Spin Coater**

**TOP TECH MACHINES CO.,LTD**

No.6-3,Siayuan Rd.,Dali,Taichung,412 Taiwan

Tel:886-4-24061658

Fax:886-4-24073200

<http://www.toptech.tw>

<http://toptech.snjapp.com>

E-mail: [top@toptech.tw](mailto:top@toptech.tw)

TOP TECH MACHINES CO.,LTD

“

”

./ +7(499) 348-11-82

E-mail: [info@fpi-inc.ru](mailto:info@fpi-inc.ru)

<http://www.fpi-inc.ru>



NO.A16-01

<http://www.toptech.tw>