

## MDS400 Inverted Metallurgical Microscope



### Performance characteristics:

- New research and new development
- Combination with bright field, dark field, polarizing observation etc. Widely used in metal, mineral, electronic field.
- Dark field objective, Make observation in dark & bright field.
- Oversize view field eyepiece, view field up to 22mm for comfortable observation.



	Objective	N.A.	Working Distance (mm)	MDS400	MDS400D
Metallurgical LWD Infinity Plan Objectives	LPL 5×	0.13	24.23	●	
	LPL 10×	0.25	18.48	●	
	LPL 20×	0.40	8.35	●	
	LPL 40×	0.65	3.90	○	
	LPL 50×	0.70	1.95	●	
	LPL 80×	0.80	0.85	○	
	LPL100×	0.90	1.00	○	
Metallurgical LWDInfinity Plan Objectives for Bright/Dark Field	M PLAN 5× BD	0.13	24.23		●
	M PLAN 10× BD	0.25	18.48		●
	M PLAN 20× BD	0.40	8.35		●
	M PLAN 50× BD	0.70	1.95		●
	M PLAN 80× BD	0.80	0.85		○

Objective specification: ("●" Is Standard outfits, "○" Is Optional Accessories.)



- Metallurgical LWD Infinity Plan Objectives for Bright & Dark Field



- Metallurgical LWD Infinity Plan Objectives



- Analyzer & Polarizer for simple polarizing observation

## MDS400 Inverted Metallurgical Microscope Outfits

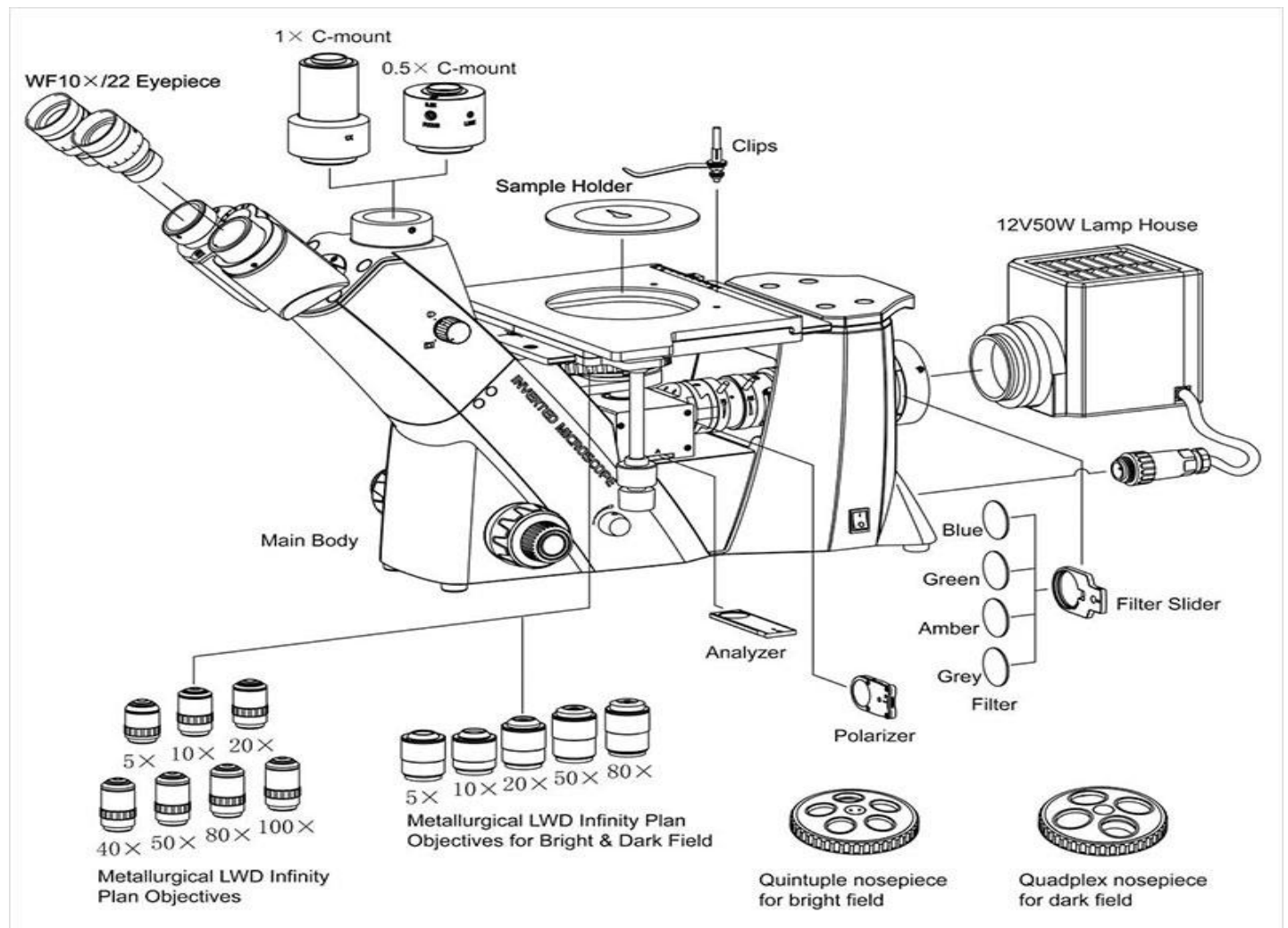
Item	Specification	MDS400	MDS400D
Eyepiece	WF10×/22mm (adjustable)	•	•
	WF10×/22mm (adjustable, reticule 0.1mm)	•	•
Metallurgical LWD Infinity Plan Objectives	LPL 5×/0.13 W.D.=24.23mm	•	○
	LPL 10×/0.25 W.D.= 18.48mm	•	○
	LPL 20×/0.40 W.D.= 8.35mm	•	○
	LPL 50×/0.70(S) W.D.= 1.95mm	•	○
	LPL 40×/0.65 W.D.= 3.90mm	○	○
	LPL 80×/0.80(S) W.D.= 0.85mm	○	○
	LPL 100×/0.90(S) W.D.= 1.00mm	○	○
Metallurgical LWD Infinity Plan Objectives for Bright & Dark Field	M PLAN 5×/0.13 BD W.D.=24.23mm		•
	M PLAN 10×/0.25 BD W.D.= 18.48mm		•
	M PLAN 20×/0.40 BD W.D.= 8.35mm		•
	M PLAN 50×/0.70 BD W.D.= 1.95mm		•
	M PLAN 80×/0.80 BD W.D.= 0.85mm		○
Seidentopf Trinocular Head	Inclined 30°, interpupillary distance: 48-76mm Light distribution (both):100:0 (100% for eyepiece) 80:20 (80% for trinocular head,and 20% for eyepiece)	•	•
Nosepiece	Quintuple	•	
	Quadplex (specially for bright /dark field objectives)		•
Mechanical Stage	Three layers, Stage size: 210 mm×180mm, Moving range:50×50mm, Scale : 0.1mm	•	•
Coaxial Coarse and Fine Focusing unit	Coarse stroke: 10mm, Fine stroke per rotation: 0.2mm, fine division 2 μm.	•	•
Polarizing Unit	Polarizer /Analyzer	•	•

Illumination	12V/50W Halogen (Input voltage: 100V~240V)	•	•
Filter	Blue	•	•
	Green	○	○
	Amber	○	○
	Grey	○	○
C-mount	1×C-Mount	○	○
	0.5× C-Mount (Focus adjustable)	○	○
Adaptor for Digital Photograph	Use for CANON/NIKON/OLYMPUS etc.	○	○

Note: "•" In Table Is Standard outfits, "○" Is Optional Accessories.

Packing Size: 660mm×590mm×325mm      Gross Weight: 17 kgs      Net Weight: 12.5 kgs

### MDS400 Inverted Metallurgical Microscope General Layout Diagram



MDS400 Inverted Metallurgical Microscope Size(mm)

